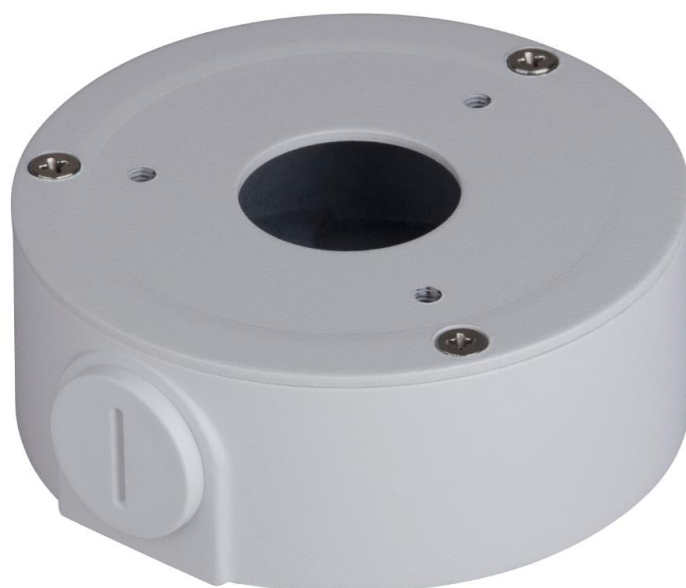


# DH-PFA134

## Junction Box



### Features

- Aesthetic design
- Material: aluminum & SECC
- Junction box

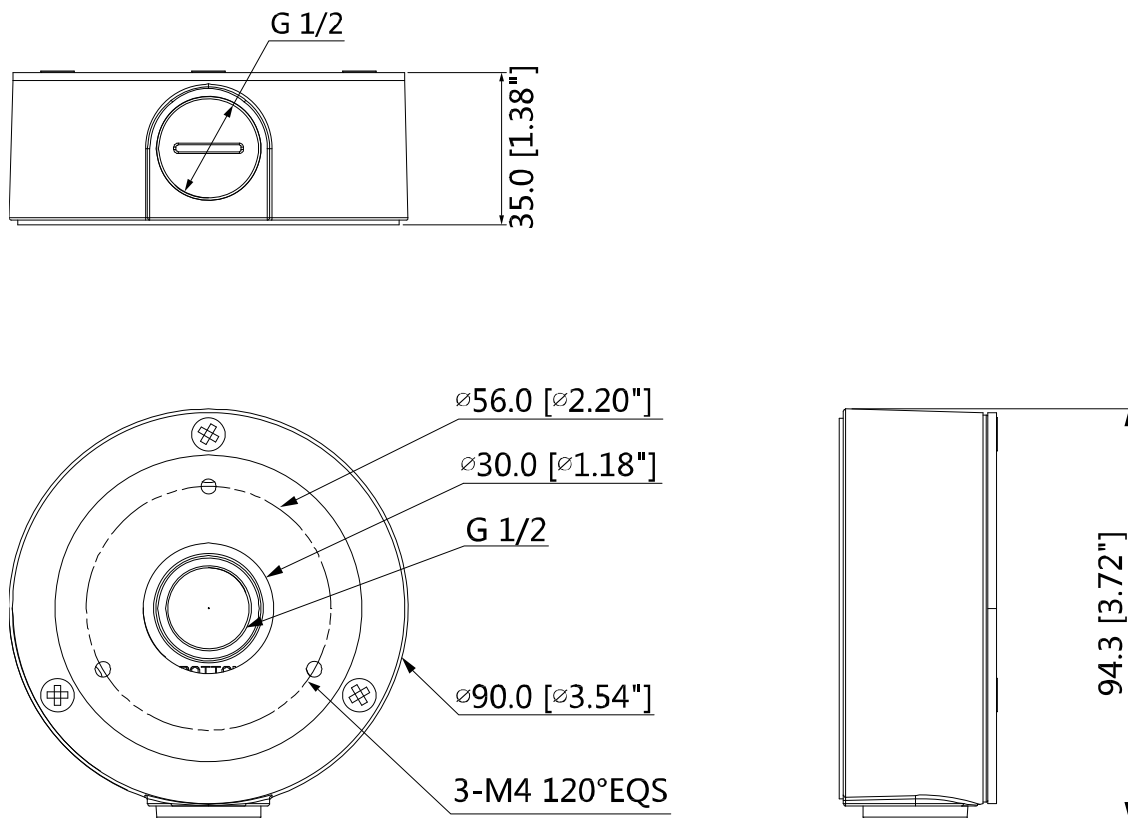
### Technical Specifications

<b>Model</b>	<b>DH-PFA134</b>
<b>General</b>	
Material	Aluminum & SECC
Dimension	Φ90.0mmx35.0mm (Φ3.54"x1.38")
Inch Thread	M20(G1/2")
Load Bearing	1.0kg(2.2lb)
Weight	0.26kg(0.57lb)
Color	White
Operating Temperature	-40°C ~ +60°C (-40°F ~ +140°F)
Humidity	0~90% RH
Applicable Model	Please see "Accessory Selection"

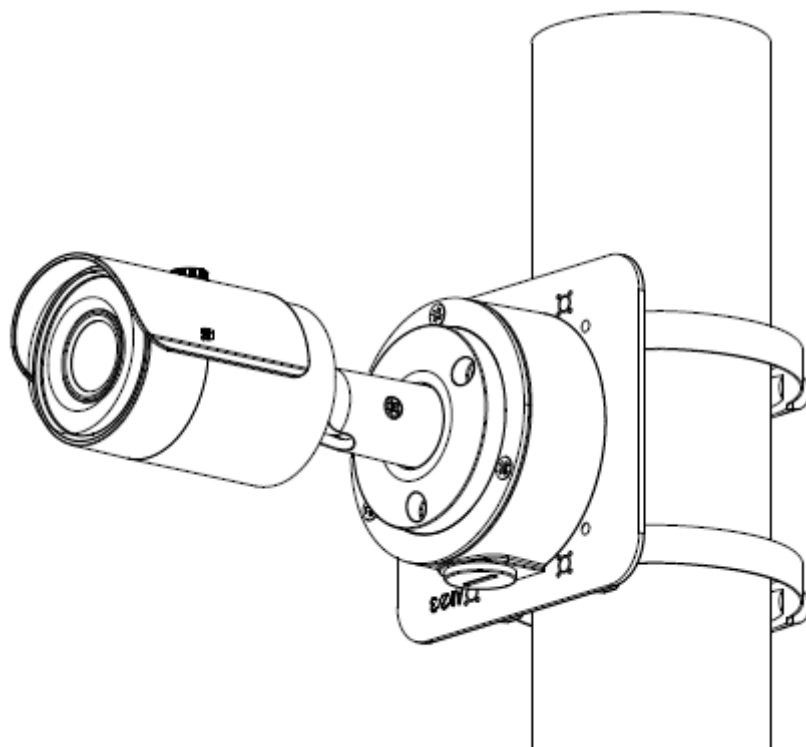
### Order Information

Type	Part Number	Description
Camera Mount	DH-PFA134	Junction box
	PFA134	Junction box

### Dimensions (mm/inch)



## Application



## Package Information

- Junction box \*1
- M4x10 screw \*3
- ST4x25 screw \*3
- Plastic anchor \*3
- Water-proof joint \*1
- Wrench \*1